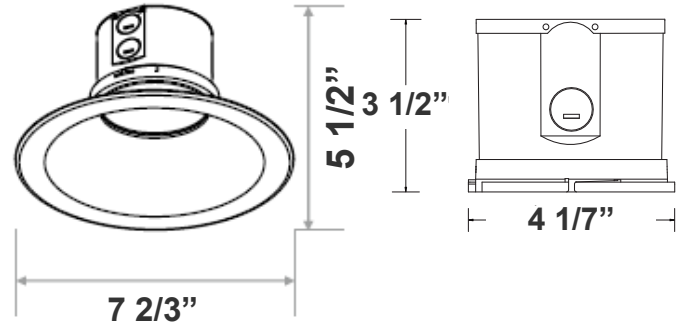


# CRLC SERIES COMMERCIAL INDOOR LIGHTING

CRLC6-20W-MCT-D  
CRLC6-20W-MCT-D-WH  
6" LED COMMERCIAL RECESSED LIGHT

Customer Name: \_\_\_\_\_  
Project Name: \_\_\_\_\_  
Note: \_\_\_\_\_ | Type: \_\_\_\_\_



**7 2/3"(L) X 5 1/2" (D)**

Ideal for hotel, offices, retail outlets, restaurant, parking garages, conference room, education facilities and more.

## Features

- 6" Haze & White Finish TRIM
- MCT: The Switch Is On The Light Engine
- Mounting Options: Recessed
- 5-Year Warranty
- Lifespan: 50,000 hrs.

## Technical Specifications

### Electrical:

- Voltage: 120-277VAC 50/60Hz
- Wattage: 20W
- Power Factor: >0.90
- Efficacy: 85 LPW

### Mechanical:

- 6" Haze & White Finish TRIM
- Mounting Options: Recessed
- Temperature Rating: Designed To Operate In Temperatures 113°F
- Housing Not Required. Two Spring Clips To Hold The Fixture In Place
- No IC-Rated
- Suitable for Damp Locations
- 5-Year Warranty

### Lighting:

- MCT: The Switch Is On The Light Engine
- Dimming: 0~10V Dimmable
- Total Lumens: 1720LM
- Color Temperature: 3000K/4000K/5000K
- Color rendering index: >80
- Lifespan: 50,000 hrs.

### Applications:

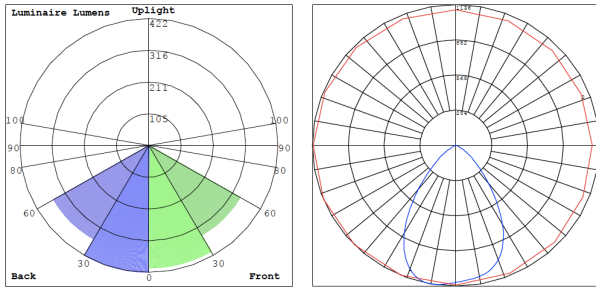
- Ideal for hotel, offices, retail outlets, restaurant, parking garages, conference room, education facilities and more.

### Other Models:

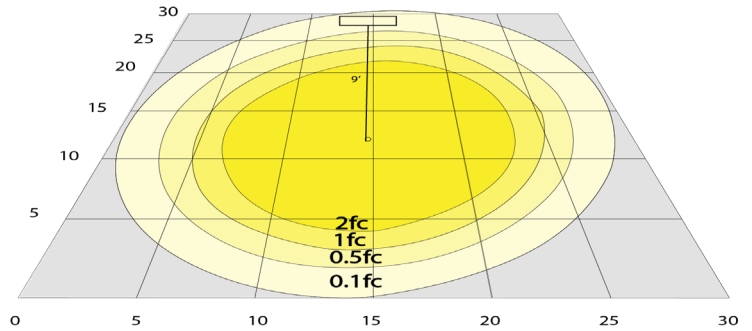
- 15W | 1275LM | CRLC6-15W-MCT-D
- 15W | 1275LM | CRLC6-15W-MCT-D-WH



## Photometrics: CRLC6-20W-MCT-D



BUG Rating: B1-U1-G0



20W 5000K, Area 30" x 30" Mounting Height: 9'

## Other Views:

Hazel



CRLC-EGN-20W-MCT-D



CRLC-TRM-6



CRLC6-20W-MCT-D

White



CRLC-EGN-20W-MCT-D



CRLC-TRM-6-WH



CRLC6-20W-MCT-D-WH

## Performance Table: CRLC6-20W-MCT-D

MODEL NO.	Wattage	Voltage	Lumens	Color Temp.	BUG Rating	LPW
CRLC6-20W-MCT-D	20W	120-277V	1720LM	3000K	B1-U1-G0	85
CRLC6-20W-MCT-D-WH				4000K 5000K		

## Sample Ordering

**Model**    **Watt**    **Dimming**    **Housing**  
 -  -  -  -   
Blank  
WH = WHITE

### Accessory:

Blank = No Option For Accessories  
 RSL6-RI = 6" ROUND ROUGH-IN PLATE, 26" LONG  
 RSL6-RI-13 = ROUND ROUGH-IN PLATE, 13" LONG

### Factory-Installed Option:

Blank = No Option For Accessories  
 OPT-EM-HB1EXT = EXTERNAL EMERGENCY BACK UP BATTERY

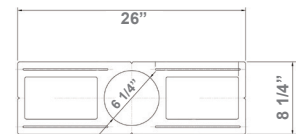
### Example:

- CRLC6-20W-MCT-D (FOR 20W CRLC6 MCT 120-277V)
- CRLC6-20W-MCT-D OPT-EM-HB1EXT (FOR 20W CRLC6 MCT 120-277V) (EXTERNAL EMERGENCY BACK UP BATTERY)

### Accessory:



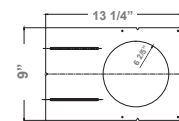
**RSL6-RI**  
6" ROUND ROUGH-IN PLATE, 26" LONG



**RSL6-RI**  
26" (W) x 8 1/4" (H)



**RSL6-RI-13**  
6" ROUND ROUGH-IN PLATE, 13" LONG



**RSL6-RI-13**  
13 1/4" (W) x 9" (H)

### Factory-Installed Option:



**OPT-EM-HB1EXT**  
EXTERNAL EMERGENCY BACK UP BATTERY

